

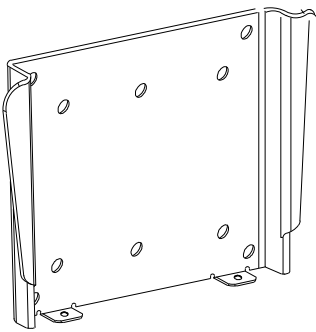
Thank you for choosing our wall mount..

This product is designed to mount VESA 75/100 compatible LCD televisions up to 25Kg onto a vertical wall. Check carefully to make sure there are no missing or defective parts. Never use defective parts. Improper installation may cause damage or serious injury. If you not understand these directions, or have any doubts about the safety of the installation, please call a qualified contractor.

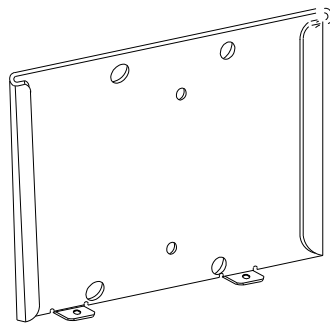
Required Tools: Drill with 3/16 inch bit, Phillips screw driver

Parts and Hardware: * Not shown as actual size

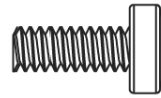
Supplied Parts



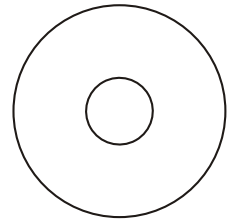
(1) Monitor Mount -a



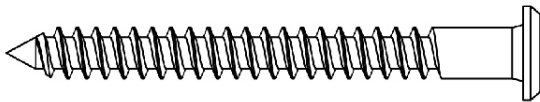
(1) Wall Plate -b



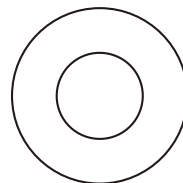
(4) M4x10 Bolt -c



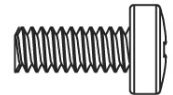
(6) M4/M5 Washer -d



(4) Lag Bolt -e



(4) Lag Bolt Washer -f



(2) M5x15 Bolt -g

Step1

Attaching to the Television: Attach the Monitor Mount (a) to the back of your LCD television using the M4 x 10 Bolt (c) and M4 Washer (d) as shown in Diagram 1. Place 4 bolts through the Monitor Mount and tighten snugly into the VESA bolt mounting pattern on the back of the television. Make sure the small side of Monitor Mount faces toward the bottom of the television.

Step2

Attaching to the Wall: Hardware for wood stud mounting is provided. For all other mounting applications contact a local contractor or hardware store. Use a high quality stud sensor to locate a stud. It is a good idea to verify the stud location with an awl or thin nail as shown in Diagram 2a. Use the Wall Plate (b) as a template to mark the four holes locations on the wall. Make sure these holes are aligned vertically and centred over the stud. Pre-drill the four holes to a depth of 2.5 inch using a 3/16 inch drill bit. Attach the Wall Plate to the wall using the four Lag Bolts (e) and Lag Bolt Washer (f) as shown in Diagram 2b.

Diagram 1

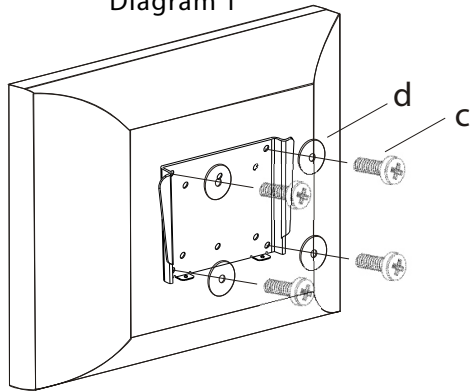


Diagram 2a

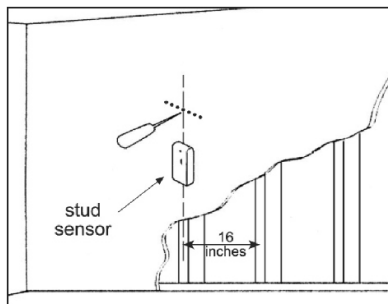


Diagram 2b

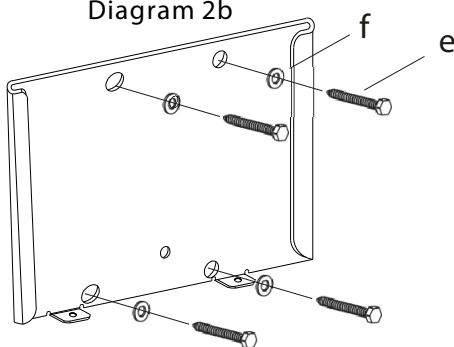


Diagram 3a

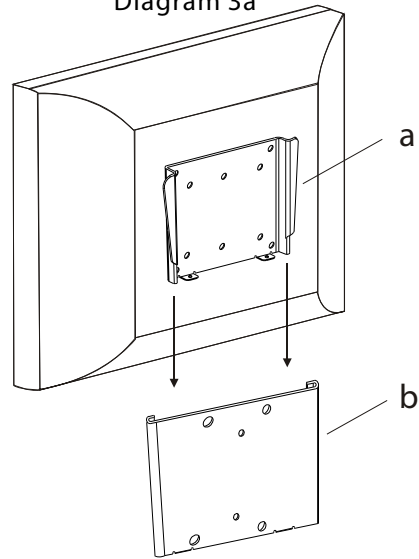
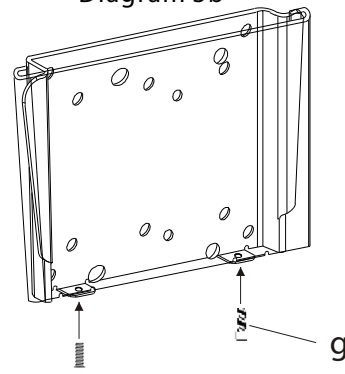


Diagram 3b



Step3-Add Monitor Mount to Wall Plate: Once the LCD TV is attached to the Monitor Mount (a), and the Wall Plate(b) is properly installed, pull the TV and insert Monitor Mount to Wall Plate. This process is shown in Diagram 3a. Make sure the Monitor Mount is inserted completely onto the Wall Plate. Finally fix the metal pieces by two M5 Bolt(g) and M5 Washer(d), shown in Diagram 3b.